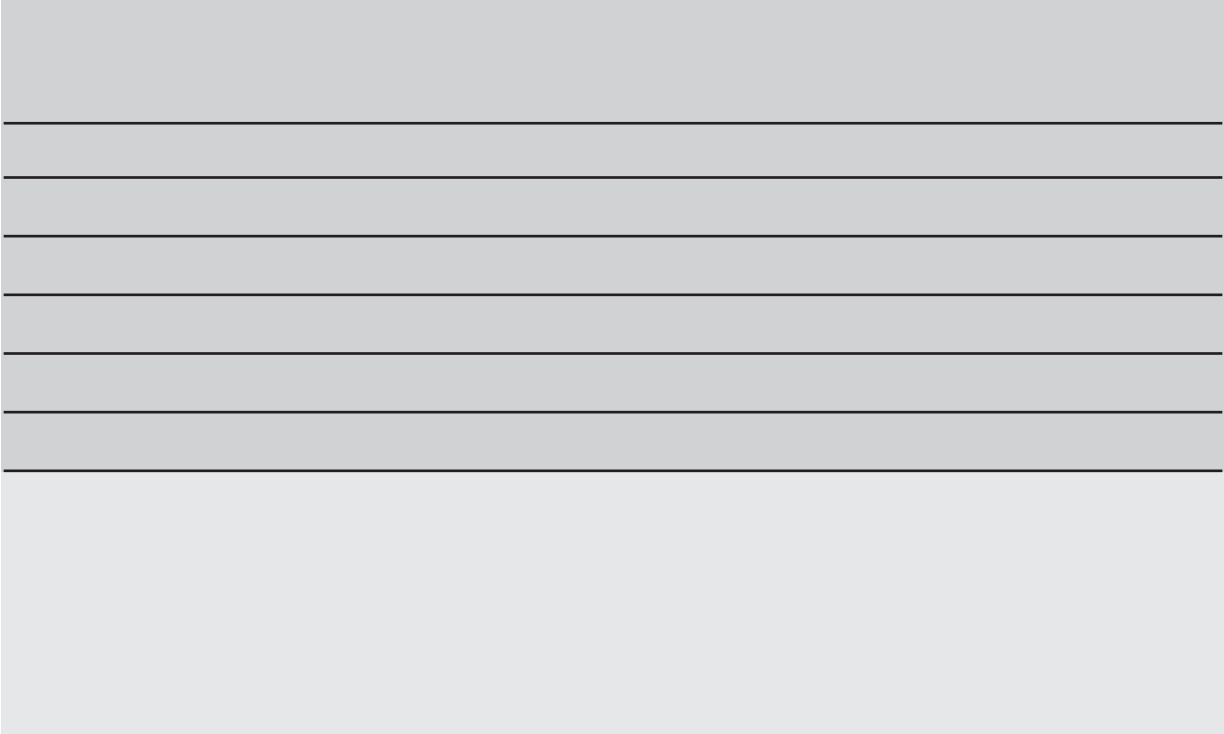


# Custom Products Manual

*Effective Spring 2005*

Northwoods International Enterprises Inc.  
(519) 421-4583  
1-866-777-4666  
Fax: 416-913-1709

[Go to Table of Contents](#)



## Custom Drawer Boxes

- Northwoods Drawer Box program offers two styles of construction, multiple wood specie selections and custom options. Information about dovetail and plywood drawer boxes and related options are found on the following pages.
- Dovetail drawer boxes are available fully assembled and can be ordered unfinished or finished; see finishing information contained in this section.
- Plywood drawer boxes are assembled and finished.
- All drawer boxes have a 6 day standard lead-time, 2 day code red expedite lead-time; add 2 days for finishing.

### 5/8" Assembled Custom Dovetail Drawer Box Specifications

The following species are available for the 5/8" Custom Dovetail Drawer Box program:

- Hard Maple and Soft Maple boxes are constructed with Maple veneer (wood composite core) bottom.
- Aspen boxes are constructed with Birch veneer face and sound back plywood bottom.

#### To determine the list price of a dovetail drawer box:

- Multiply the perimeter of the box in linear inches {2 x (width + depth)} by the appropriate height/specie price.
- Add the \$4 mandatory assembly charge per box. All drawer boxes are pre-assembled.
- Add the price of the selected options.
- A minimum of 50 linear inches applies.

Pricing Example																			
Procedure	Bottom Specie	Bottom Thickness	Box Size	Options	Total														
Description of sample drawer box	Aspen	1/4"	12" wide 21-1/2" deep 4" high	Assembled Finished Undermount notching															
Action to take to calculate cost	Locate specie and bottom thickness in chart on the next page.		Calculate total linear inches, multiply by specie linear inch charge	Look up individual options pricing, add together	Add box and options charges														
Actual numbers for described sample	\$ .27		(12"+21-1/2")x2 = 67" 67"x\$.27/inch = \$18.09	<table border="0"> <tr> <td>Assembly</td> <td>\$4.00</td> </tr> <tr> <td>Finishing</td> <td>6.00</td> </tr> <tr> <td>Notching</td> <td>1.25</td> </tr> <tr> <td><b>Total options</b></td> <td><b>\$11.25</b></td> </tr> </table>	Assembly	\$4.00	Finishing	6.00	Notching	1.25	<b>Total options</b>	<b>\$11.25</b>	<table border="0"> <tr> <td>Box</td> <td>\$18.09</td> </tr> <tr> <td>Options</td> <td>11.25</td> </tr> <tr> <td><b>Total Cost</b></td> <td><b>\$29.34</b></td> </tr> </table>	Box	\$18.09	Options	11.25	<b>Total Cost</b>	<b>\$29.34</b>
Assembly	\$4.00																		
Finishing	6.00																		
Notching	1.25																		
<b>Total options</b>	<b>\$11.25</b>																		
Box	\$18.09																		
Options	11.25																		
<b>Total Cost</b>	<b>\$29.34</b>																		

### Dovetail Drawer Box Pricing

Dovetail Drawer Box Size Parameters			
Description	Minimum	Maximum	Increments
Height	2"	12"	1/2"
Width	3"	46"	1/16"
Depth	3"	31"	1/16"

Drawer Box Height, 1/4" Bottom, (All Dimensions in Inches)						
Specie	2 to 3	3-1/2 to 4	4-1/2 to 6	6-1/2 to 8	8-1/2 to 10	10-1/2 to 12
Aspen	\$					
Maple, Hard						
Maple, Soft						

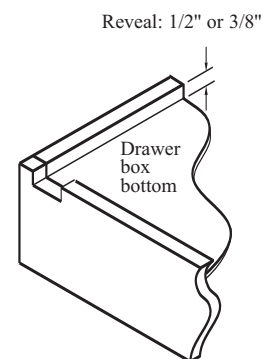
Drawer Box Height, 3/8" Bottom, (All Dimensions in Inches)						
1/8" has been added to accommodate 3/8" bottoms						
Specie	2-1/8 to 3-1/8	3-5/8 to 4-1/8	4-5/8 to 6-1/8	6-5/8 to 8-1/8	8-5/8 to 10-1/8	10-5/8 to 12-1/8
Aspen*	\$					
Maple, Hard						
Maple, Soft						

\* Aspen 3/8" bottoms are Maple veneer with composite wood core.

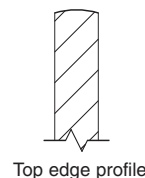
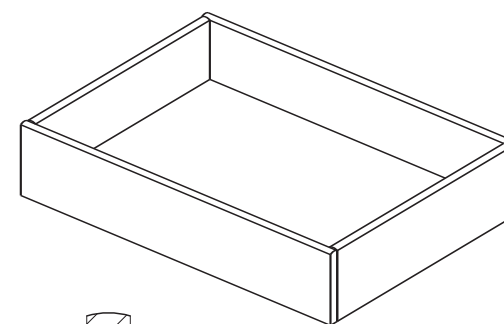
### Additional Options and Pricing

Additional Options and Pricing		
<b>Bottom Thickness</b>		
1/4"	Standard	See drawer box height charts for pricing
3/8"	Requires 1/8" to be added to the drawer box height	
No Bottom	Optional	No Upcharge
<b>Bottom Reveal</b>		
1/2"	Standard	No Upcharge
3/8"	Optional	No Upcharge
<b>Finished with clear top coat, per box</b>		
Lineal inches, 100 or fewer, per box		\$
Lineal inches, more than 100, per box		
<b>Top Edge Profiles, per box</b>		
Standard eased edge—1/16" radius		No Upcharge
Eased edge front and back, bull-nose sides		\$
Bull-nose full radius edge four sides		
Machine edge square corners		
Routed edge (All inside and outside edges have 1/8" rout except outside, front edge)		\$
<b>Odd Specie Drawer Boxes</b>		
* Odd specie drawer boxes are available in any standard grade Northwoods specie selection, and will add 5 additional days lead time.		
To price odd specie drawer boxes use Hard Maple pricing and add \$35 list price upcharge per box.		
Available only with 1/4" bottoms; all standard options available.		

### Reveal Detail



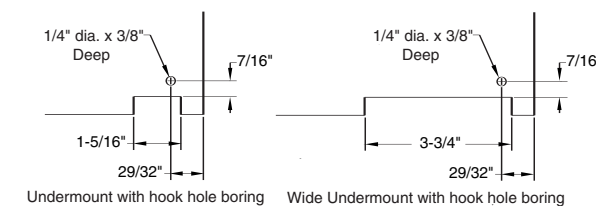
### 1/2" Plywood Drawer Box Program



### 1/2" Plywood Drawer Box

- Drawer boxes feature dowel construction. Available assembled and finished only.
- Fronts, backs and sides are constructed from 1/2" thick Birch plywood.
- Eased radius top edge profile has matching wood grain pattern.
- Drawer bottoms are 1/4" thick Birch plywood.
- Available drawer box heights are 2", 4", 6" and 10" only.
- 1/2" bottom reveal is standard; 3/8" reveal is optional and must be specified.
- Slight bullnose profile on top edges is standard – no options.
- Plywood drawer boxes have a 6 day standard lead-time, 2 day code red expedite lead-time.

Plywood Drawer Box Size Parameters			
Description	Minimum	Maximum	Price
Height	2", 4", 6" or 10" only		Fixed
Width	3"	46"	1/16"
Depth	3"	31"	1/16"



### Undermount Notching Options

- Minimum drawer box width 6" to receive notching option
- Undermount notching only \$
- Undermount notching with hook hole boring
- Wide undermount notching with hook hole boring
- 3/8" bottom reveal No Upcharge

Drawer Box Height, 1/4" Bottom				
Specie	2"	4"	6"	10"
Birch Plywood	\$			

To determine the list price of a plywood drawer box:

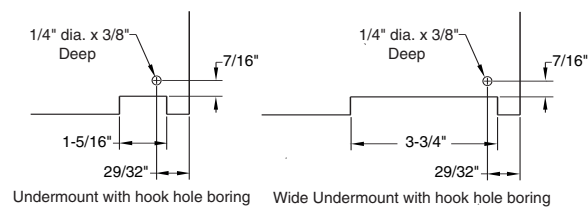
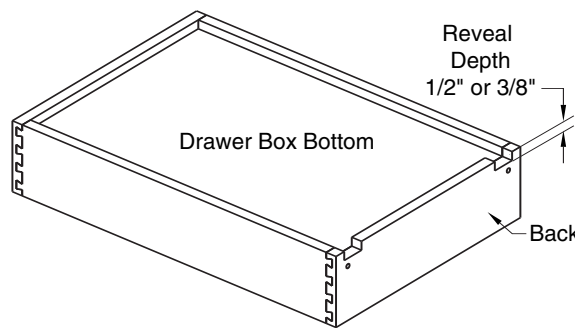
- Multiply the perimeter of the box in lineal inches {2 X (width + depth)} by the appropriate height price.
- Add the \$mandatory assembly charge per box. All drawer boxes are finished and assembled.
- Add the price of the selected options.

Lead-times			
Category	Maximum Pieces per Order	Upcharge	Lead-time Working Days
1/2" Plywood Drawer Boxes	Unlimited	None	7
Red Expedite	6	50%	2
Blue Expedite	30	25%	6

*Dovetail Drawer Box Options*

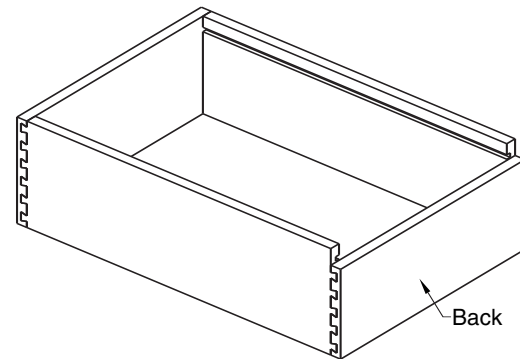
**Undermount Notching Options**

- Undermount notching is also available on plywood drawer boxes.
- Minimum drawer box width 6"
- Undermount notching only \$
- Undermount notching with hook hole boring (detail shown below) \$
- Wide undermount notching with hook hole boring (detail shown below) (Entire back will be notched on boxes less than 9-3/4" wide). \$



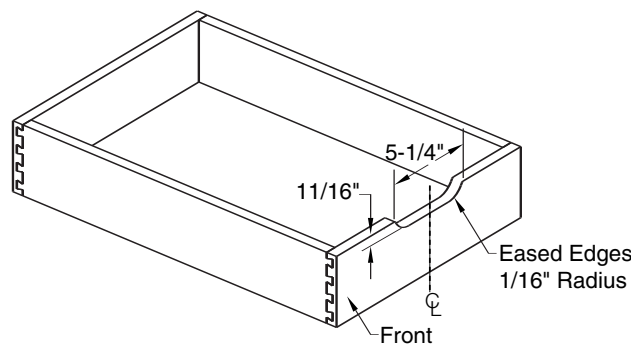
**Bread Box Top Routing \$**

- 1/8" or 1/4"
- 9/32" deep groove on sides only
- 1/8" rout is 5/32" wide
- 1/4" rout is 9/32" wide
- Minimum box height 4"
- **Lid not included.**



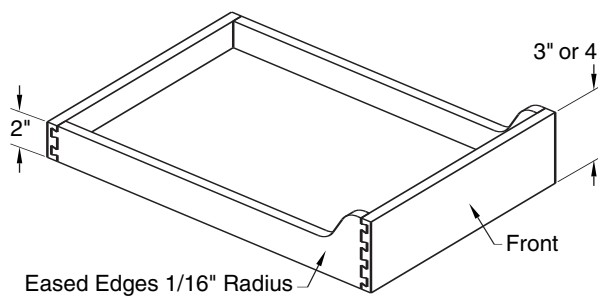
**Hand Pull \$**

- Minimum box width is 9"



**Cut-Down Sides \$**

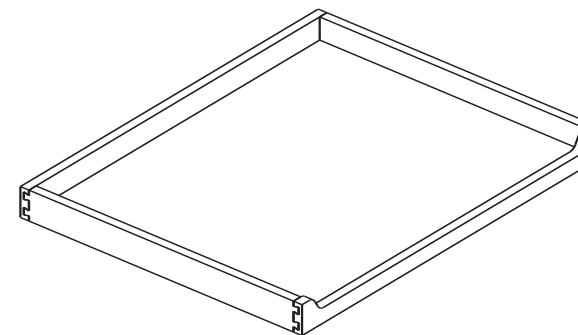
- Available for 3" or 4" high drawer boxes only
- Add 1/8" to box height dimensions when ordering 3/8" bottoms
- Rear box height 2"



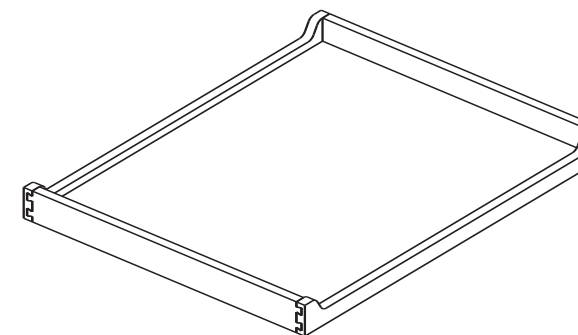
*Dovetail Drawer Box Options (continued)*

**Keyboard Tray Option \$ Front Only  
\$ Front and Back**

- Minimum box width 12"
- Minimum box height 2"
- Maximum box width 46"
- Maximum box height 3-3/8"



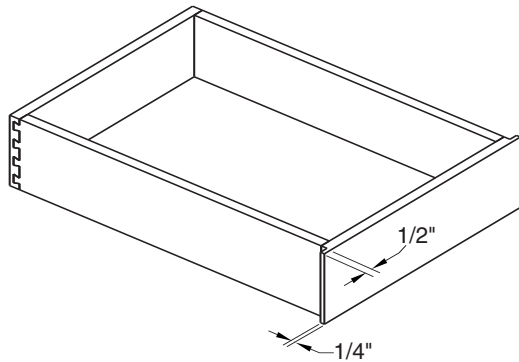
Front Only



Front and Back

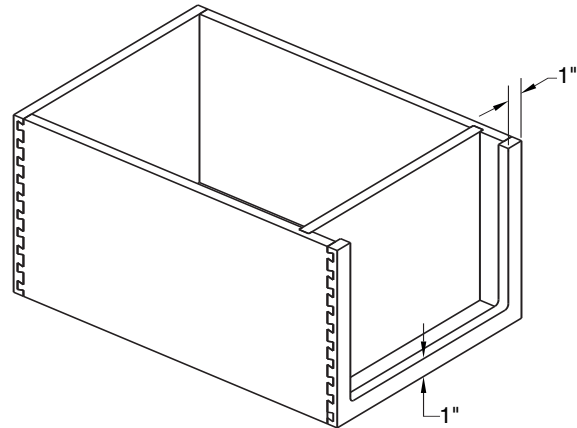
## Dovetail Drawer Box Options

### Roll Out Drawer Front Option \$



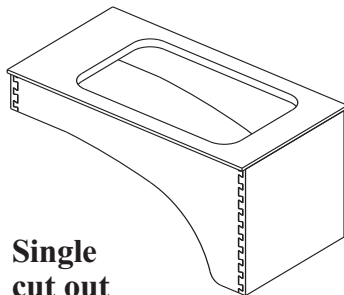
- Drawer box front is 1" wider than the overall box width
- Minimum box width is 8"

### Visible Storage Unit Routing \$

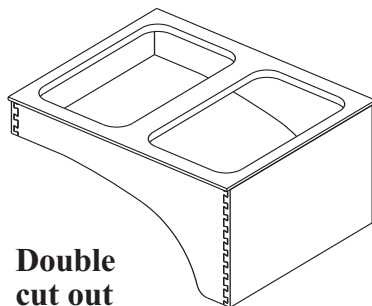


- Minimum box width is 12"
- Minimum box height is 7"
- Maximum box width is 24"
- Removable divider included. Located 1-1/2" behind front of drawer box.

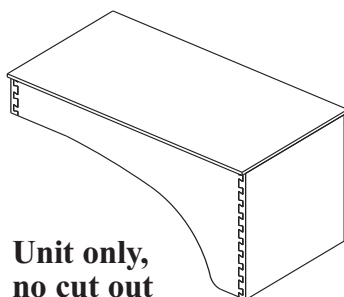
## Trash Can Pull Out



Single cut out



Double cut out



Unit only, no cut out

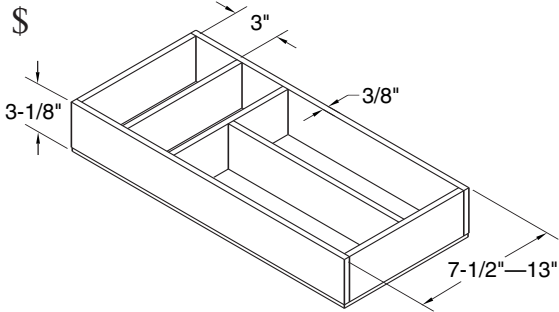
- Available in Aspen and Hard Maple.
- 11/16" Hard Maple plywood top for Aspen and Hard Maple units. Top extends 3/8" over the sides of the unit. Extensions cover side mounted drawer slides.
- Designed to be used with side mount full extension slides - hardware not included.
- Unit with single cut out includes one Rubbermaid 7-gallon, almond color waste can; double cut out includes two waste cans; no cut out option does not include a waste can.
- Front height is 10" to accommodate door mounting hardware. Rear height is 3".
- Depth: 21-3/4" fixed.
- Options and pricing (Aspen and Hard Maple).  
 Single cut out: \$      Double cut out: \$  
 Minimum width: 11"      Minimum width: 15"  
 Unit only, no cut out (solid top shipped loose): \$  
 Minimum width: 11"  
 Waste can: \$
- 6 day standard lead-time, 2 day code red expedite lead-time; add 2 days for finishing.
- Finishing option charge: \$ per pull out.

*Custom Drawer Accessories*

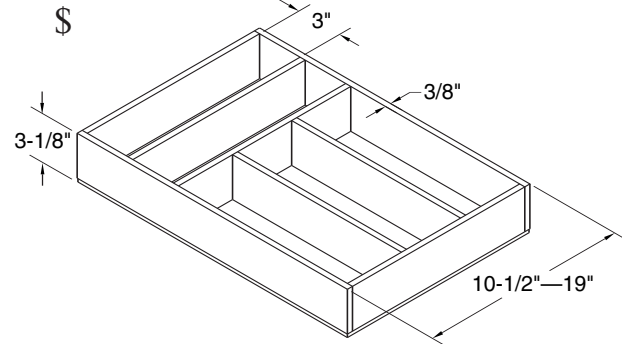
**Cutlery Dividers**

- Available in Aspen and Hard Maple.
- When ordering specify design A, B, C, D, E, F, G or H.
- Specify depth and width in 1/16" increments. Both dimensions are measured from outside edge to outside edge.
- Depth for all designs must be between 16" and 22". Refer to specific design for width range.
- When ordered with a drawer box, cutlery dividers are sized 1-5/16" less than the width and depth of the overall drawer box size.
- To order a custom size cutlery divider, specify the depth, width and design as a separate line item on the order form.
- Standard height is 3-1/8". Height modifications available; see following pages for options and pricing.
- 6 day standard lead-time, 2 day code red expedite lead-time; add 2 days for finishing.
- Finishing option charge: \$

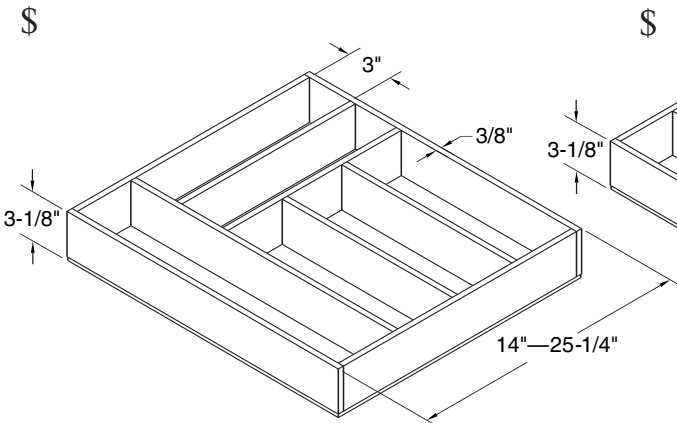
**Design A**



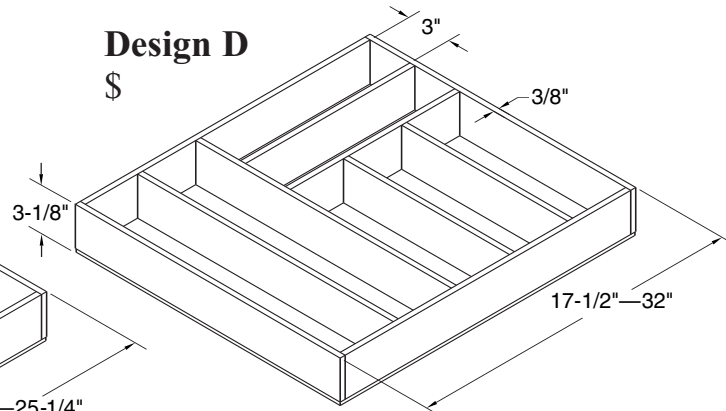
**Design B**



**Design C**

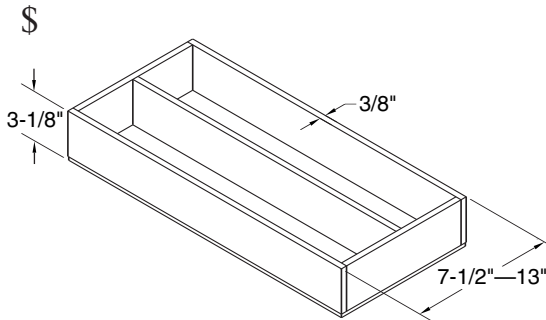


**Design D**

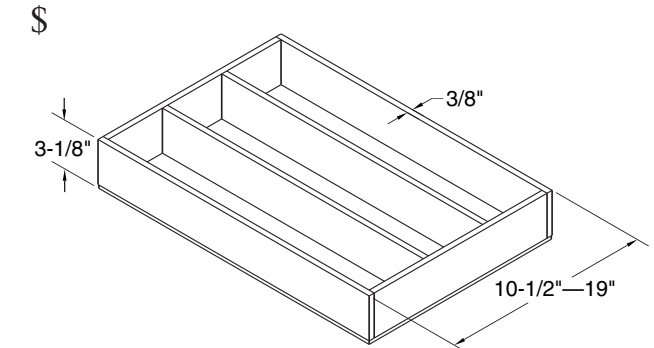


*Custom Drawer Accessories (continued)*

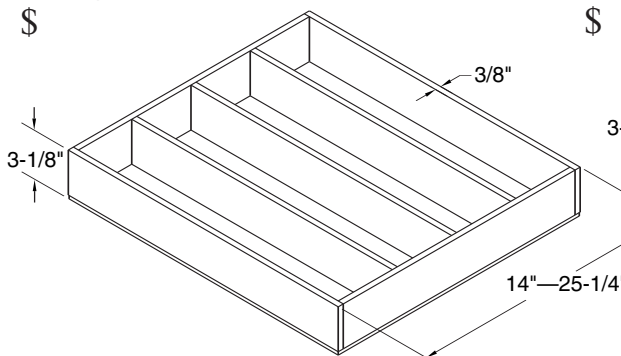
**Design E**



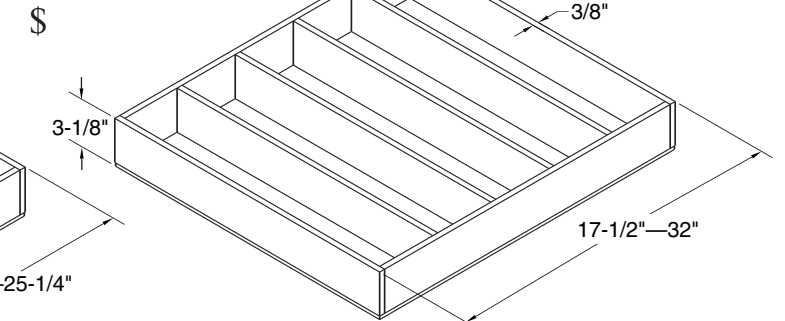
**Design F**



**Design G**



**Design H**



**No Bottom Option**

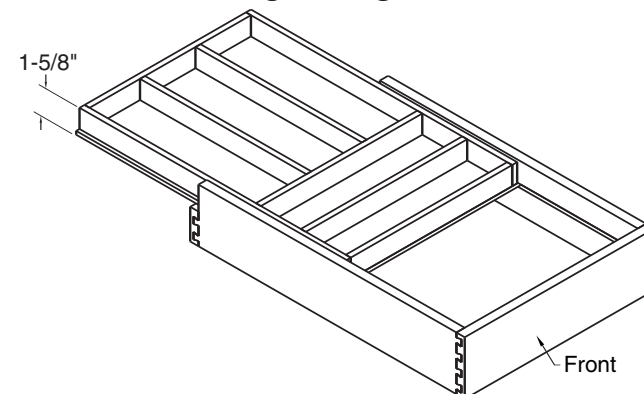
- No upcharge
  - All cutlery divider designs are constructed with a 1/4" bottom unless "NO BOTTOM" is specified.

**Reduced Height Option**

- \$ upcharge
  - All divider designs can be reduced in height for specialty applications. Specify divider height when ordering.
  - Minimum divider height with bottom is 1-5/8".
  - Minimum divider height without bottom is 1-3/8".

**Sliding Cutlery Divider**

\$ + divider design charge

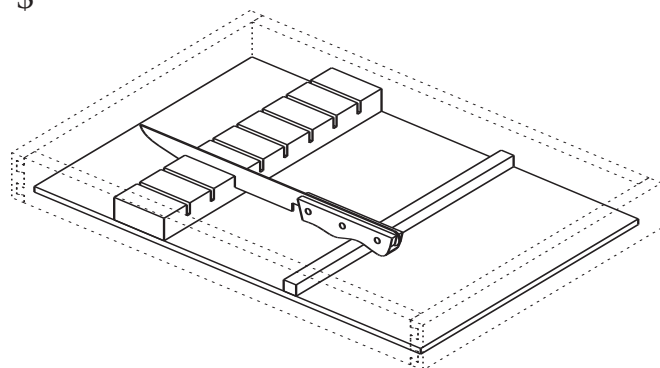


- Available with all divider configurations; specify design when ordering.
- Top divider is 1-3/8" high mounted on a 1/4" base.
- Recommended maximum drawer box width is 24" to ensure proper operation.
- Available with 5/8" dovetail drawer boxes only.

Custom Drawer Accessories (continued)

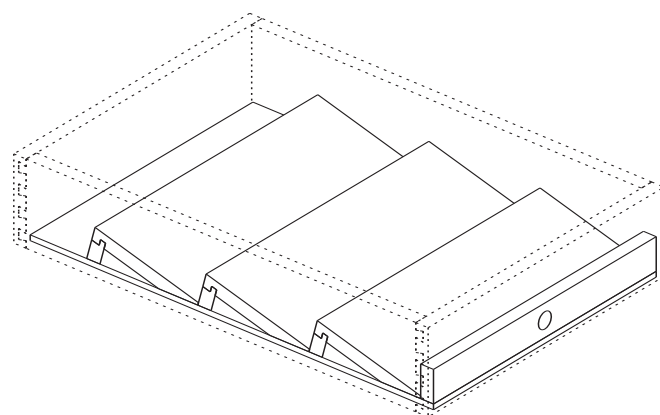
**Knife Block Insert**

\$



- Knife block and handle rest are unfinished Hard Maple mounted on a prefinished 1/4" bottom.
- Slot spacing is 1-1/4" between slots.
- Can be sized to fit a specific drawer box or ordered separately. If ordering separately, specify width and depth.
- Minimum insert: 7-1/2 wide x 16" deep.
- Maximum insert: 21" wide x 22" deep.
- 6 day standard lead-time, 2 day code red expedite lead-time.

**Spice Tray Insert**



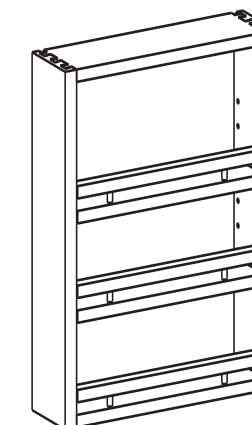
- Can be sized to fit a specific drawer box or ordered separately. If ordering separately, specify width and depth.
- 3/4" diameter finger hole centered on lead rail for ease of removal from a drawer box.
- Spice rests are 5-1/4" wide, 1-1/2" high.
- Minimum insert: 7-1/2" wide x 17" deep.
- Maximum insert: 32" wide x 22" deep.
- 6 day standard lead-time, 2 day code red expedite lead-time; add 2 days for finishing.

**Spice Tray Insert Width**

Specie	7-1/2" to 15"	15-1/16" to 23"	23-1/16" to 32"
Aspen	\$		
Hard Maple			

Spice Storage Units

- Dovetail construction with 5/8" sides and ends.
- 1/4" plywood back flush with back of unit.
- 32mm linebore shelf support system.
- 5mm locking shelf clips.
- Matching specie retainer rail attached to unit bottom and each adjustable shelf.
- Installation hardware is not included. Additional hinges and adequate installation hardware are required to ensure proper operation.
- Available size range:  
Height: 18" to 36"  
Width: 8" to 21"  
Depth: 3-1/8" *fixed*
- 6 day standard lead-time, 2 day code red expedite lead-time; add 2 days for finishing.
- Finishing option charge: \$14.00 per spice storage unit.



**Number of Shelves - Spice Storage Units**

Unit Height	Shelves Per Unit
18" - 23"	2
23-1/16" - 31"	3
31-1/16" - 36"	4

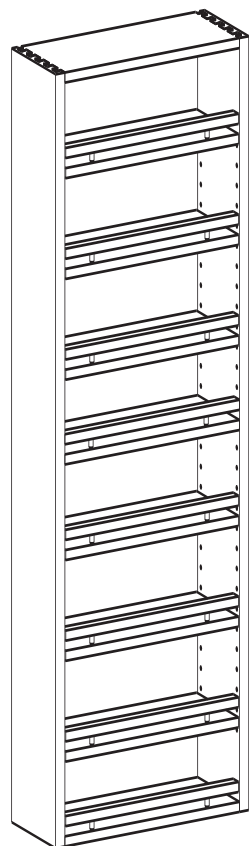
**Spice Storage Unit Pricing**

Unit Height	Unit Width					
	Aspen			Hard Maple		
	8" to 13"	13-1/16" to 17"	17-1/16 to 21"	8" to 13"	13-1/16" to 17"	17-1/16 to 21"
18" to 23"	\$					
23-1/16" to 31"						
31-1/16" to 36"						

To determine the list price of an interior storage unit:

- Find the size range of the unit in the applicable specie table. Select the price based on the overall width and height of the unit.
- Add finishing charges if applicable.

### Can Storage Units



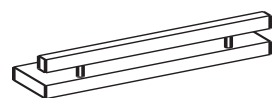
- Dovetail construction with 5/8" sides and ends.
- 1/4" plywood back flush with back of unit.
- 32mm linebore shelf support system.
- 5mm locking shelf clips.
- Matching specie retainer rail attached to unit bottom, fixed center shelf and each adjustable shelf.
- For structural integrity, units over 39" high have one fixed shelf, centered.
- Installation hardware is not included. Additional hinges and adequate installation hardware are required to ensure proper operation.
- Available size range:  
Height: 21" to 60"  
Width: 8" to 21"  
Depth: 5" *fixed*
- 6 day standard lead-time, 2 day code red expedite lead-time; add 2 days for finishing.
- Finishing option charge: \$ per can storage unit.

Number of Shelves - Can Storage Units	
Unit Height	Shelves Per Unit
21" - 23"	2
23-1/16" - 31"	3
31-1/16" - 39"	4
39-1/16" - 47"*	5
47-1/16" - 55"*	6
55-1/16" - 60"*	7

\* Units over 39" include 1 fixed shelf

Can Storage Unit Pricing						
Unit Height	Unit Width					
	Aspen			Hard Maple		
	8" to 13"	13-1/16" to 17"	17-1/16" to 21"	8" to 13"	13-1/16" to 17"	17-1/16" to 21"
21" to 23"	\$					
23-1/16" to 31"						
31-1/16" to 36"						
39-1/16" to 47"						
47-1/16" to 55"						
55-1/16" to 60"						

#### Loose shelves:

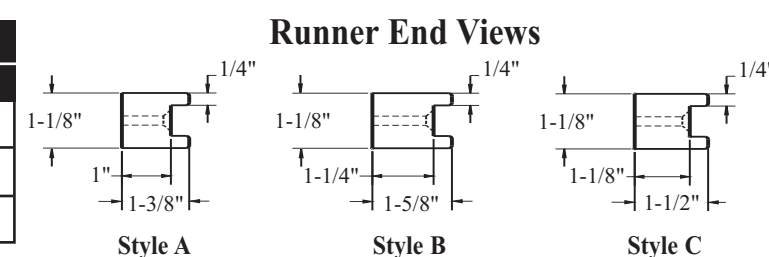


- Specify specie or can style and unit width.
- Finishing is included in price.
  - Spice Storage Units: \$
  - Can Storage Units: \$

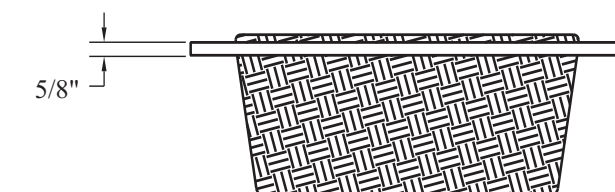
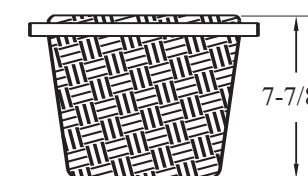
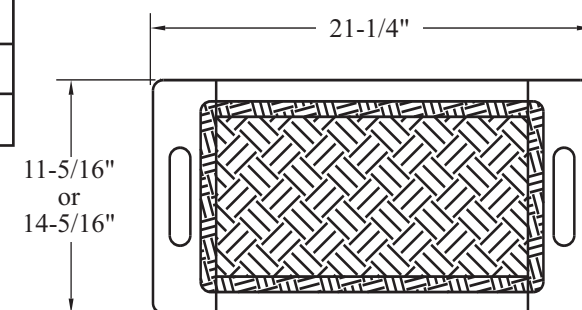
### Basket Inserts

- Baskets and runners are sold separately.
- Designed for 24" deep cabinetry only.
- Willow baskets are woven through 5/8" thick Beech frames.
- Baskets are unfinished, frames and runners are finished with a clear topcoat.
- 11-5/16" wide baskets fit 15" wide cabinets.
- 14-5/16" wide cabinets fit 18" wide cabinets.
- Three runner widths "A", "B" or "C" (horizontal basket supports) are available to accommodate various styles of cabinet construction.
- 4 day standard lead-time, 2 day code red expedite lead-time.

Runner Sizes	
Description	Size
Style A	1-1/8" X 1-3/8" X 21-1/4"
Style B	1-1/8" X 1-5/8" X 21-1/4"
Style C	1-1/8" X 1-1/2" X 21-1/4"

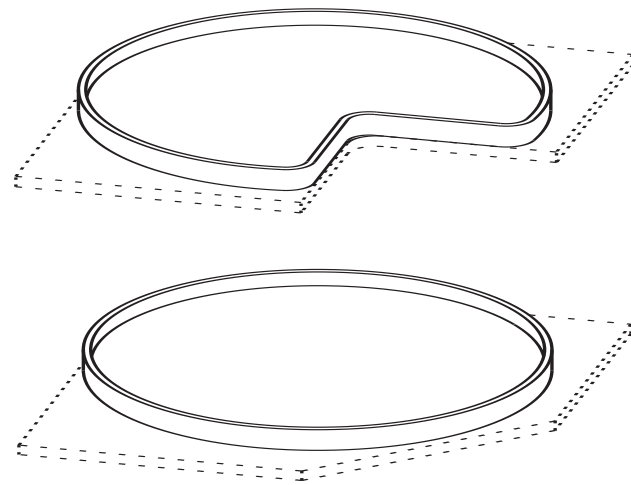


Basket Inserts and Runners		
Part Number	Description	Price
2100040	15" Basket with frame	\$
2100041	18" Basket with frame	\$
2100042	Runner Style A (pair) - 1-3/8" wide	\$
2100043	Runner Style B (pair) - 1-5/8" wide	\$
2100044	Runner Style C (pair) - 1-1/2" wide	\$





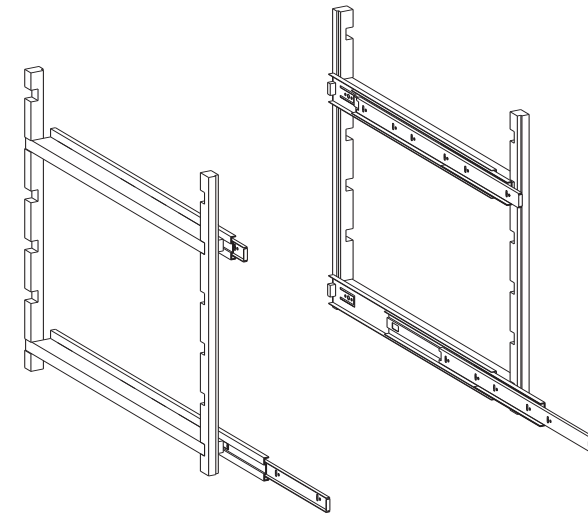
### Wood Lazy Susan Shelves



- Wood susans are designed to be installed on adjustable shelves or cabinet floors. Pricing includes Susan and mounting ring bearing only, shelves not included.
- Susans mount on surfaces directly - no center pole is required.
- Sold individually and are packaged with a center mounted ring bearing.
- 1/2" thick Hard Maple plywood with a 1-1/2" high laminated edge.
- All susans are prefinished with a clear topcoat; unfinished units are not available.
- 4 day standard lead-time, 2 day code red expedite lead-time.

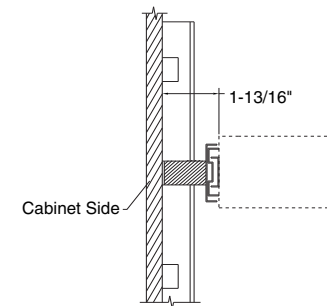
Wood Lazy Susan Shelves Pricing		
Part No.	Description	Price
2100050	32" Kidney-Wood Lazy Susan	\$69.50
2100051	32" Full Round-Wood Lazy Susan	68.00
2100052	28" Kidney-Wood Lazy Susan	64.00
2100053	18" Full Round-Wood Lazy Susan	49.50

### Adjustable Pull Out Tray System Kits

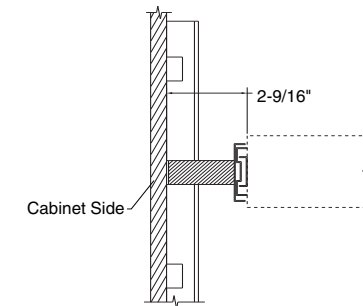


Base/Vanity Corner Cleats: 4 pieces 3/4" X 1" X 19-1/4"  
 Tall Corner Cleats: 4 pieces 3/4" X 1" X 51-3/4"

- Adjustable pull-out tray hardware systems feature unfinished Soft Maple components and 75lb. capacity ball bearing full extension drawer slides. Drawer boxes are not included.
- Kits are available for base (24" deep), vanity (21" deep) or tall utility (24" deep) cabinetry applications. Base and Vanity kits include hardware for 2 full width pull-outs. Tall kits include hardware for 4 full width pull-outs.
- Two cleats widths "A" or "B" (horizontal drawer slide supports) are available to accommodate overlay or inset and framed or frameless cabinet construction.
- Vertical corner cleats can be trimmed in height to accommodate adjustable shelves.
- 4 day standard lead-time, 2 day code red expedite lead-time.



SYSTEM CLEAT WIDTH "A"  
 Base/Tall: 3/4" X 1-5/16" X 21-11/16"  
 Vanity: 3/4" X 1-5/16" X 18-11/16"



SYSTEM CLEAT WIDTH "B"  
 Base/Tall: 3/4" X 2-1/16" X 21-11/16"  
 Vanity: 3/4" X 2-1/16" X 18-11/16"

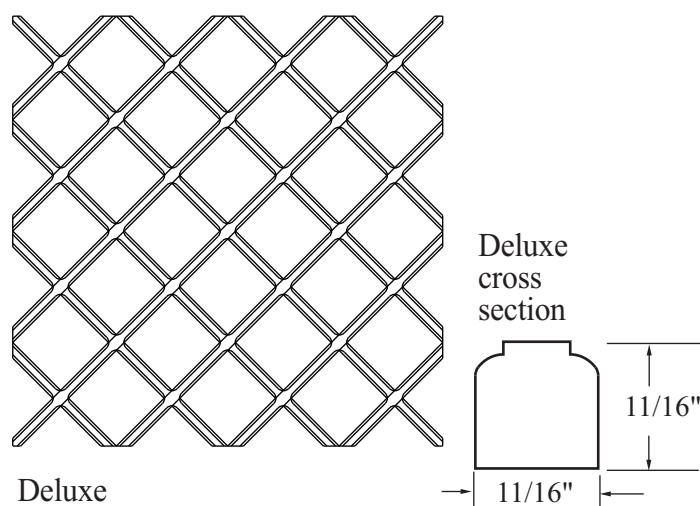
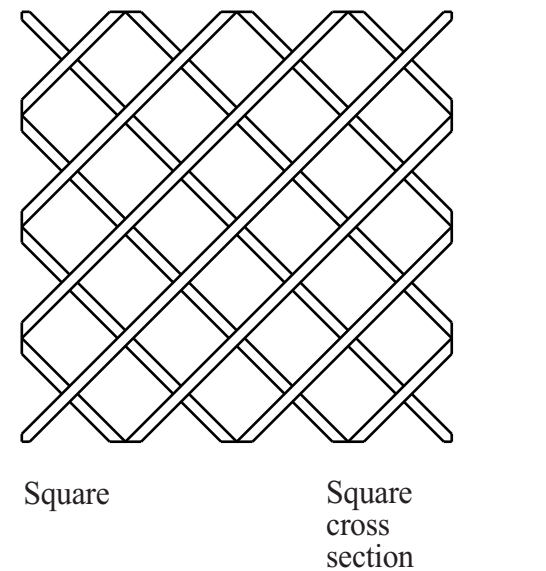
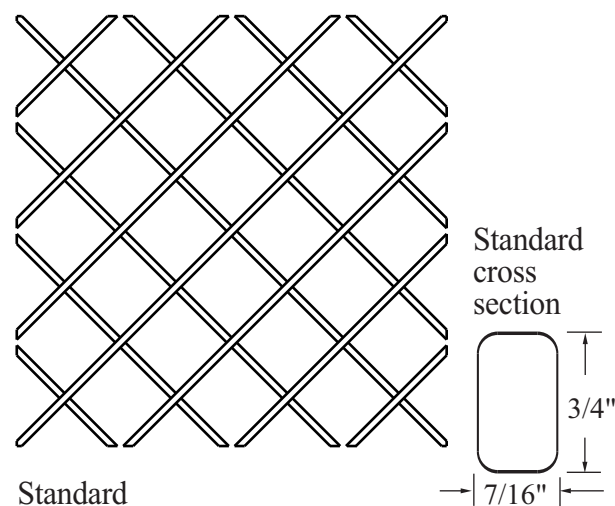
System Kits - Cleat Width "A"			System Kits - Cleat Width "B"		
Kit Number	Description	Price	Kit Number	Description	Price
SYSB24-A	Base 24" (3/4" X 1-5/16" X 21-11/16")	\$	SYSB24-B	Base 24" (3/4" X 2-1/16" X 21-11/16")	\$
SYSTB24-A	Tall 24" (3/4" X 1-5/16" X 21-11/16")		SYSTB24-B	tall 24" (3/4" X 2-1/16" X 21-11/16")	
SYSV21-A	Vanity 21" (3/4" X 1-5/16" X 18-11/16")		SYSV21-B	vanity 21" (3/4" X 2-1/16" X 18-11/16")	
SYSTV21-A	Tall 21" (3/4" X 1-5/16" X 18-11/16")		SYSTV21-Bal	21" (3/4" X 2-1/16" X 18-11/16")	
Single Shelf Kits - Cleat Width "A"			Single Shelf Kits - Cleat Width "B"		
Kit Number	Description	Price	Kit Number	Description	Price
SYSSB24-A	Base 24" (3/4" X 1-5/16" X 21-11/16")	\$	SYSSB24-B	Base 24" (3/4" X 2-1/16" X 21-11/16")	\$
SYSSV21-A	Vanity 21" (3/4" X 1-5/16" X 18-11/16")		SYSSV21-B	Vanity 21" (3/4" X 2-1/16" X 18-11/16")	

Lattice Wine Racks

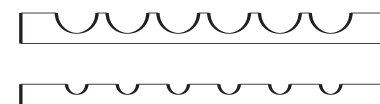
Lattice Wine Rack Pricing				
Model	Size (inches)	Unfinished Price		
		Red Oak	Hard Maple	Cherry
Standard	17 x 36	\$		
	24 x 30			
	24 x 43			
Square	17 x 36			
	24 x 30			
	24 x 43			
Deluxe	17 x 36			
	24 x 30			
	24 x 43			

Lattice Wine Racks

- Available unfinished or finished. See Solid Wood Finishing Program section for pricing.
- Sold individually (specify two pieces if pair is desired).
- Trimmable in length and width.
- Standard rack bottle openings are 4" x 4".
- Square and Deluxe bottle openings are 4-1/4" x 4-1/4".
- Square and Deluxe wine racks can be used to make a pair.
- 4 day standard lead-time, 2 day code red expedite lead-time; add 5-6 days for finishing.

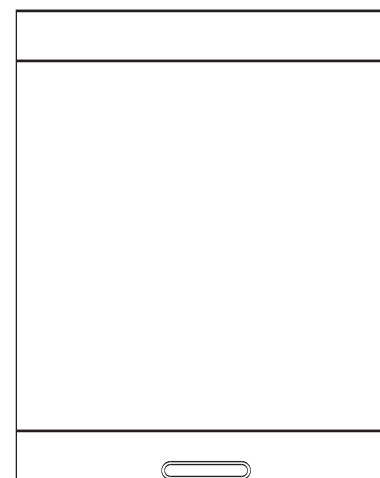


Half Round Wine Racks

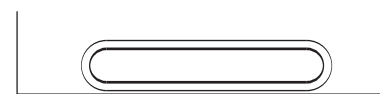


- Design charge is \$, material category B pricing.
- Use 1.25 sq. ft to calculate 30" racks and 1.50 sq. ft to calculate 36" racks.
- Sold in pairs (front and back).
- Available unfinished or finished. See Solid Wood Finishing Program section for pricing.
- 3/4" thick only.
- 30" or 36" length.
- Front is 2" high, back is 3" high.
- Back bottle cutouts are 4" wide.
- Bottle cutouts start 3" from end on 30" and 3-1/2" on 36".
- 30" holds 5 bottles, 36" holds 6 bottles.
- Horizontal grain direction only.
- 6 day standard lead-time, 2 day code red expedite lead-time; add 5-6 days for finishing.

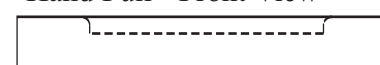
Custom Cutting Boards



- Design charge is \$, material category B pricing.
- Available in 3/4" thick Paint Grade material only.
- Manufactured using pinless, three-piece construction with 2-5/16" wide rails on face.
- Each edge is eased with a 3/32" radius.
- No oils, treatment or other coatings will be applied.
- Hand pull option is available: \$ per pull.
- 6 day standard lead-time, 2 day code red expedite lead-time.

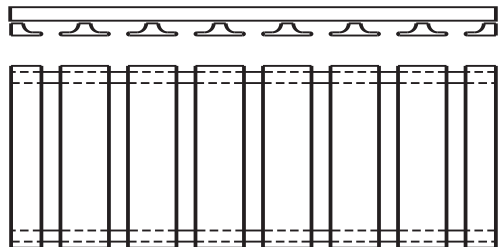


Hand Pull - Front View



Hand Pull - Bottom Edge View

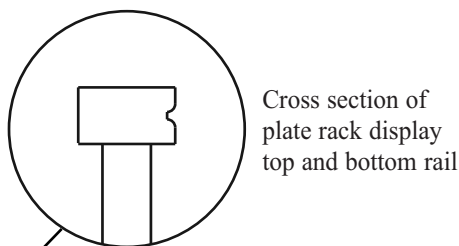
### Stemware Holders



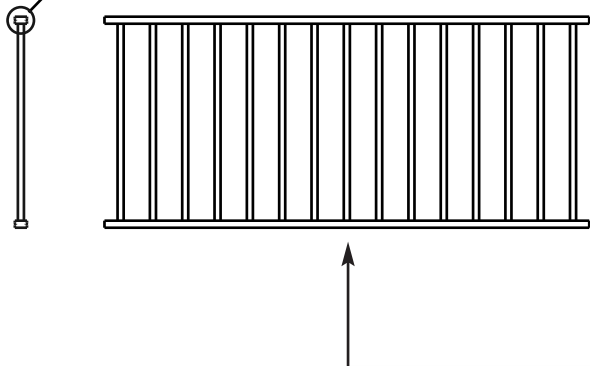
Specie	Unfinished Price	
	30"	36"
Cherry	\$	
Hard Maple		
Hickory		
Red Oak		

- Available unfinished or finished. See Solid Wood Finishing Program section for pricing.
- Sold per piece.
- 30" or 36" width.
- Depth 11-1/4".
- Thickness 1-1/2".
- Constructed of solid wood.
- Accommodates most stemware styles.
- 4 day standard lead-time, 2 day code red expedite lead-time; add 5-6 days for finishing.

### Plate Rack Displays



Cross section of plate rack display top and bottom rail



Specie	Unfinished Price	
	30"	36"
Cherry	\$	
Hard Maple		
Hickory		
Red Oak		

#### Plate Rack Displays

- Available unfinished or finished. See Solid Wood Finishing Program section for pricing.
- Sold in pairs.
- 30" or 36" width.
- Overall height 13-1/16".
- Thickness 3/4".
- Constructed with 3/8" same specie dowels, 2" on center.
- Removable center dowel for ease of cleaning.
- 4 day standard lead-time, 2 day code red expedite lead-time; add 5-6 days for finishing.