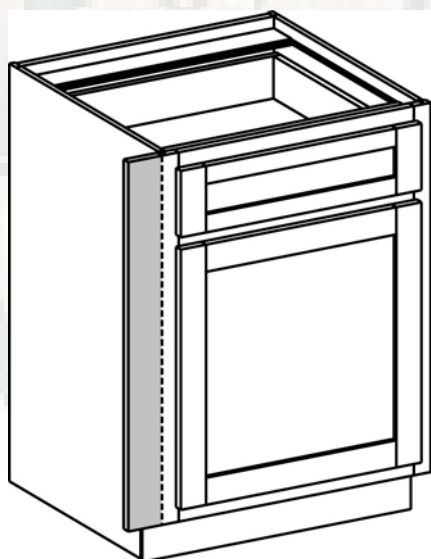


This section details the options that are available on the RTA cabinets. The 'Available Options' section mirrors the options bar you see associated with each cabinet in the WALL, BASE, TALL, VANITY and HOME OFFICE cabinet downloads. If the box for a given option contains a ✓, than that option is valid on that cabinet. For example, if you were looking as the image and information for a W3036BD in the WALLS download, you would see that the EXT box is checked. This means that the Extended stile option detailed immediately below IS available on that cabinet.

If you have any questions as you review the available options, please do not hesitate to contact us!

Extended Stiles (EXT)

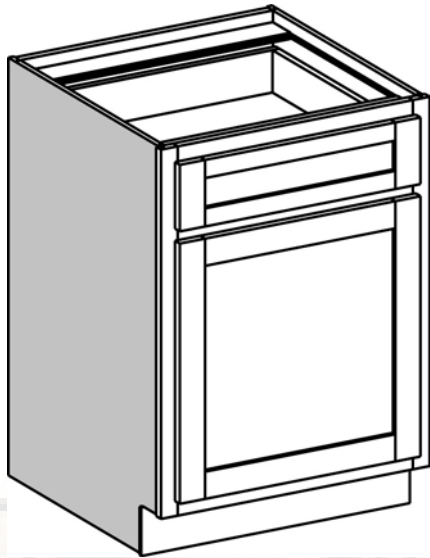


AVAILABLE OPTIONS

EXT	EXP	FL	MI	STR	FT	FTRA
✓						

- Add 3" to the left, right or both vertical stiles as an alternative to loose filler strips
- Specify 'ESL' (extend Stile left), 'ESR' (extend stile right), or ESB (extend stile both)
- Total stile width becomes 4-1/2"
- No glue joints in 4-1/2" stile
- Available on most wall, base, tall, vanity and office cabinets.

Exposed Ends (EXP)

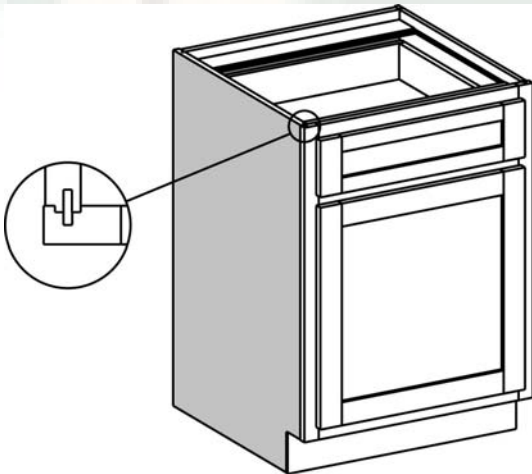


AVAILABLE OPTIONS

EXT	EXP	FL	MI	STR	FT	FTRA
	✓					

- **Matching Specie Veneer on 1/2" thick Cabinet Sides**
- **Available in both Craftsman and Pioneer cabinet lines.**
- **Specify 'L' (Left), 'R' (Right), or 'B' (Both).**
- **7/32" reveal from edge of face frame to surface of the cabinet side.**
- **Soft Maple and Hard Maple cabinets both use Hard Maple ends**

Flush Ends (FL)

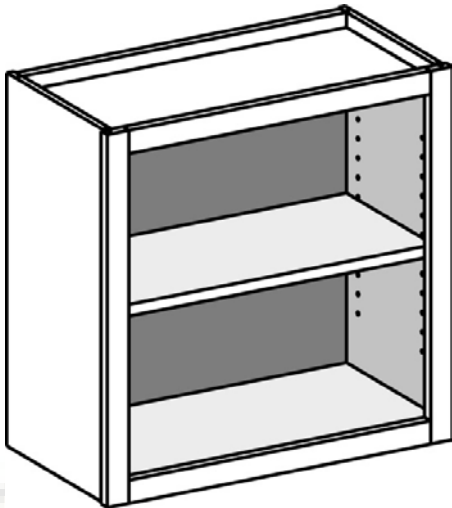


AVAILABLE OPTIONS

EXT	EXP	FL	MI	STR	FT	FTRA
		✓				

- **Matching Specie Veneer on 11/16" thick Cabinet Sides**
- **Available in both Craftsman line only.**
- **Specify 'L' (Left), 'R' (Right), or 'B' (Both).**
- **1/32" reveal from edge of face frame to surface of the cabinet side.**
- **Soft Maple and Hard Maple cabinets both use Hard Maple ends**

Matching Interior (MI)

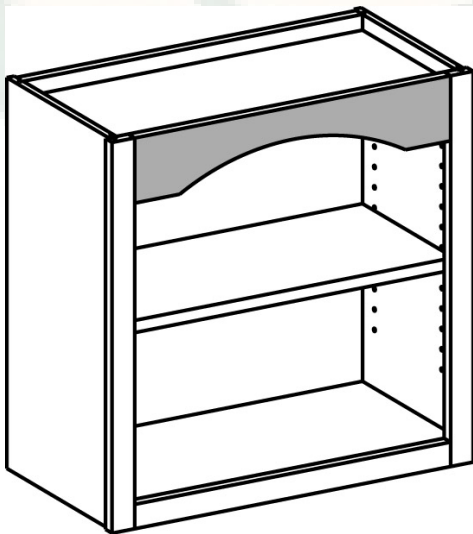


AVAILABLE OPTIONS

EXT	EXP	FL	MI	STR	FT	FTRA
			✓			

- Cabinets have matching specie interior (sides, tops, bottoms and back).
- If cabinet is ordered finished, interior of matching interior cabinets will be stained/painted/glazed to match exterior.
- Specify MI on order
- Shelves are matching specie $\frac{3}{4}$ " plywood with wood edge band on front edge.

Shaped Top Rail Roman Arch (STR)

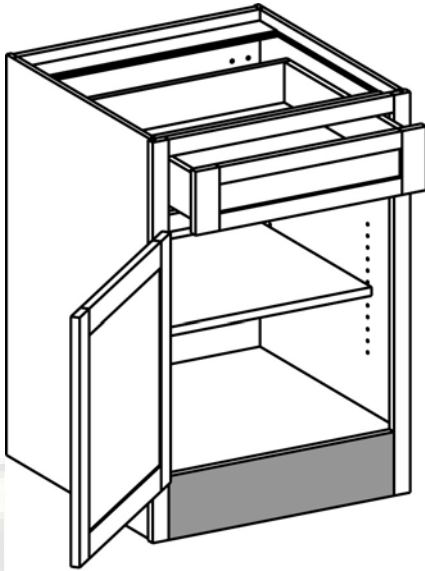


AVAILABLE OPTIONS

EXT	EXP	FL	MI	STR	FT	FTRA
				✓		

- Roman arch shape is centered on rail
- Specify 'STRRA' on order
- Rail height is 4"
- Available on most wall, base and tall cabinets
- Minimum cabinet width is 15"
- Other arch styles available at extra charge. See the valances available in the MOLDINGS & ACCESSORIES download.

Flush Toe (FT)

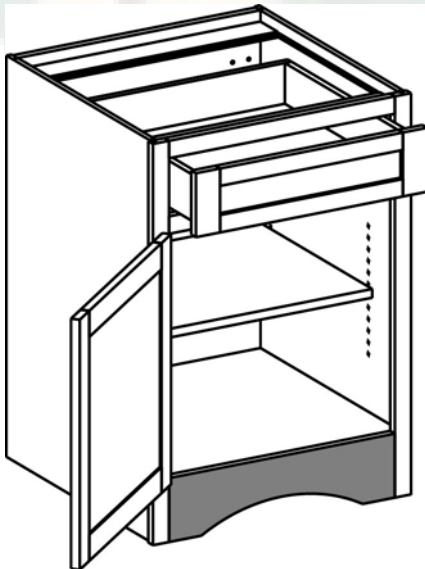


AVAILABLE OPTIONS

EXT	EXP	FL	MI	STR	FT	FTRA
					✓	

- Bottom rail height is 5-1/2"
- Specify 'FT' on order
- Cabinet side is manufactured without the standard toe notch
- 96" tall cabinets do not use the toe platform
- Available on most base, tall and vanity cabinets
- Home office base cabinets have a 2-1/2" high flush toe as standard (cannot be modified)

Flush Toe with Roman Arch (FTRA)

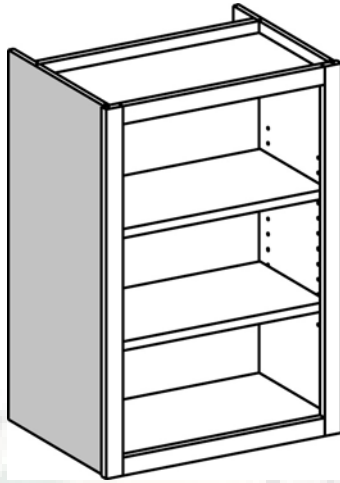


AVAILABLE OPTIONS

EXT	EXP	FL	MI	STR	FT	FTRA
						✓

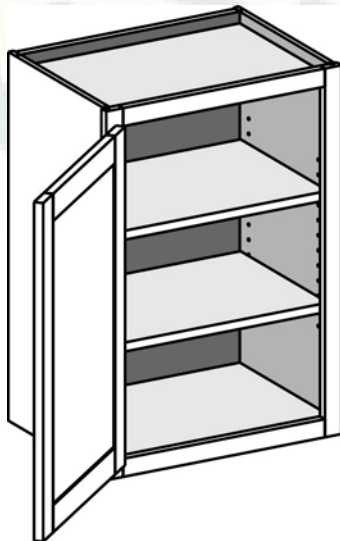
- Roman Arch shape is centered on bottom rail
- Bottom rail height is 5-1/2"
- Specify 'FTRA' on order
- Cabinet side is manufactured without the standard toe notch
- 96" tall cabinets do not use the toe platform
- Available on most base, tall and vanity cabinets
- Home office base cabinets have a 2-1/2" high flush toe as standard (cannot be modified)
- Minimum cabinet width is 15"

15-1/2" deep SIDE



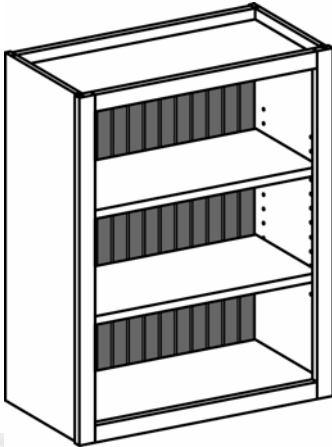
- 15-1/2" deep cabinet side replaces standard 12-1/2" deep cabinet side
- Flush ends are available in Craftsman line only
- Interior depth of cabinet and shelves does not increase
- Available on most 30" , 36" and 42" high wall cabinets
- Additional blocking behind cabinet back may be required in some installation situations.

15-1/2" deep CABINET



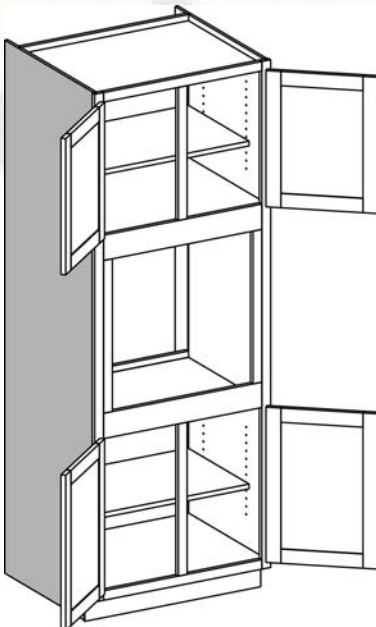
- 3" of additional cabinet space over standard depth wall cabinet
- Flush ends are available in Craftsman line only
- Available on most wall cabinets except: WAE, WCC, WCD, WCX, WMB, and WPD.
- 27" x 27" deep corner cabinets are available standard. See the WALL CABINETS download

Grooved Back



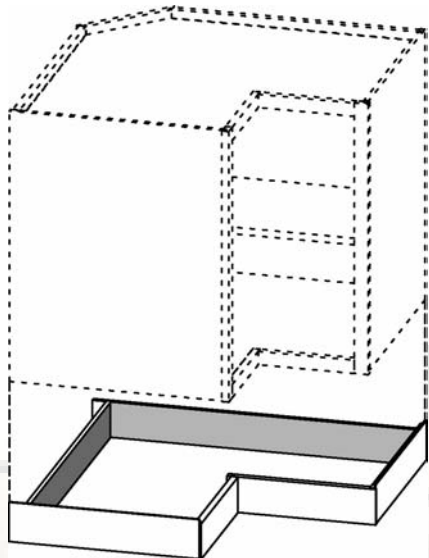
- $\frac{1}{4}$ " thick grooved back replaces standard back panel
- Groove spacing is 1-1/2" on center
- Available in Craftsman line with matching interior only
- Available on cabinets with $\frac{1}{4}$ " backs only

27" Deep Tall Appliance Cabinet side



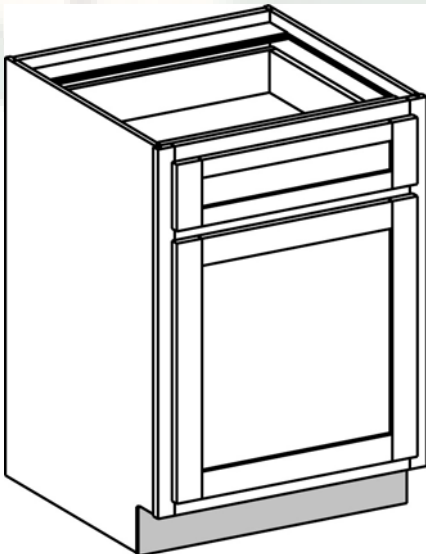
- 27" deep cabinet side replaces 24" deep cabinet side
- Flush ends available in Craftsman line only
- Interior depth of cabinet and shelves does not increase
- Available on RTB, RTL, RTR, OS, ODA and ODB tall cabinets
- Additional blocking behind cabinet may be required in some installation situations.

Loose Toe Platform – 36” Base Corner Cabinets



- **Optional loose toe platform reduces cabinet height by 4" to allow entry through narrow doorways**
- **Available on 36" BCFD, BLS and BSC cabinets**
- **Cabinets with loose toe option must be ordered with solid wood toe boards**

Solid Wood Toe Boards



- **4" high solid wood toe board**
- **Each cabinet has its own solid toe board**
- **Seams will be visible between installed cabinets.**
- **This is the preferred method of covering toe areas in single cabinet applications such as a stand alone vanity.**

Toe Board Strips

- **4" x 96" plywood strips (same specie and finish as rest of order)**
- **Allows the ability to cover several cabinet toe areas at once, resulting in minimal visible seams in toe area of installed kitchen.**
- **This is the preferred and recommended method for covering toe areas in complete kitchens.**

Undermount Drawer Slide Options

STANDARD DRAWER GLIDE: Blum SOLO

- **¾ extension epoxy coated undermount glide with rear mount screw in boot**
- **Not available on POT (pull out trays), wall cabinets with drawers or home office cabinets**
- **Undermount notch required**
- **All hardware and instructions are included.**

UPGRADE DRAWER GLIDE: Blum Tandem Undermount with Blumotion soft close feature

- **Full extension zinc coated stell with rear mount bracket**
- **Not available on POT (pull out trays), wall cabinets with drawers or home office cabinets**
- **All hardware and instructions are included**

Installation jig kits are available for both undermount drawer slide options. These jigs greatly simplify the installation procedure for your drawer boxes. Specify 2100480A for SOLO jig and 2100485A for TANDEM jig.

Side Mount Slides

- **Full extension, Ball bearing glides are standard on all home office cabinets, wall cabinets with drawers and pull out tray kits (POT).**
- **Not available with base or vanity cabinets**
- **Instructions and hardware included, but no installation jig is available.**

Hinges



- Blum concealed cup hinge in 1/2", 1-1/4" and 1 3/8" overlay
- Steel, Nickel coated
- Hinges packed in pairs with mounting screws
- All hinges feature side, height, and depth adjustment for fine tuning door spacing with wraparound face frame mounting for ease of installation
- Doors over 42" high receive 3 hinges
- Specify hinging left or right for single door cabinets.